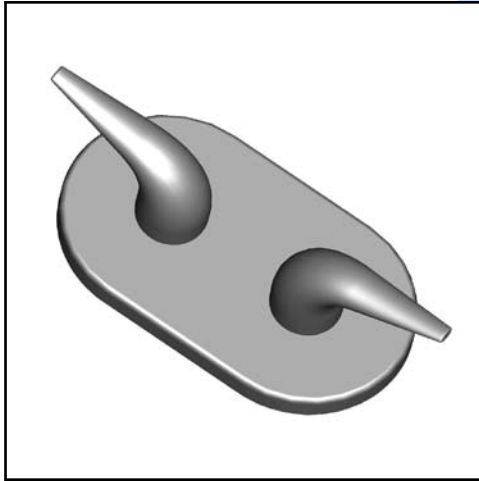
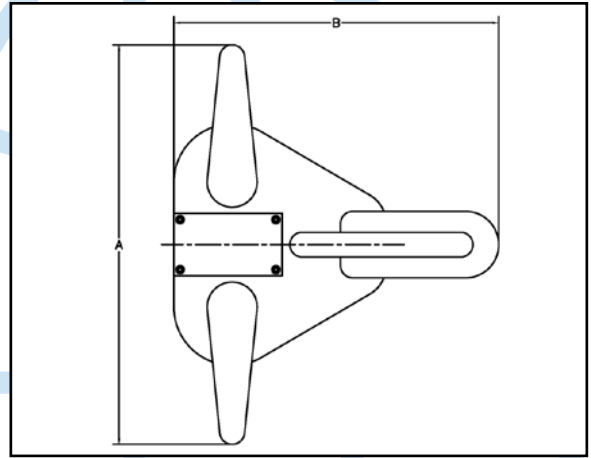
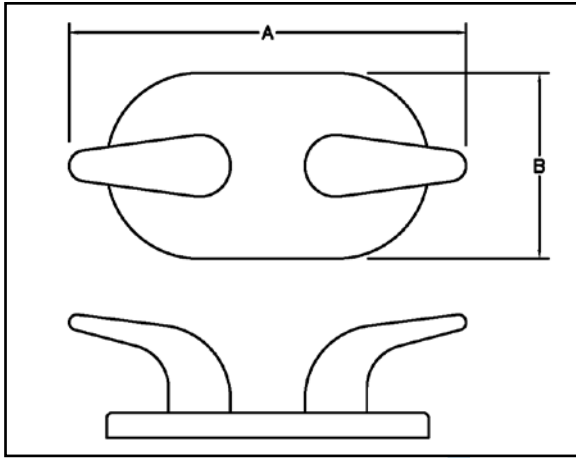
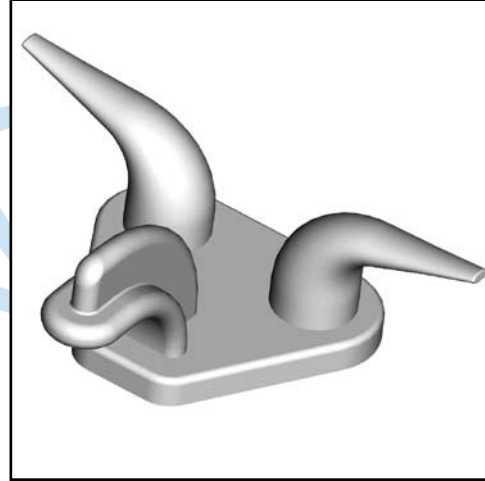


CLEAT

2 Horn and 3 Horn



2 Horn



3 Horn

Part Number	Dimensions		Cleat Size	NSN
	A	B		
2 Horn				
6937122-B	12.00"	5.00"	12.00"	unassigned
6914204	14.00"	5.00"	14.00"	unassigned
6743642	20.00"	7.00"	20.00"	unassigned
3 Horn				
6743626	12.00"	9.75"	12.00"	unassigned
6743630	20.00"	14.00"	20.00"	unassigned



Underway Replenishment Systems
Navy Standard Valves
Fluid Control Systems

Telephone: 814-445-9671 • FAX: 814-443-1453
www.globalsfc.com • www.unrep.us