

803-1385965 3-Way Bypass Valve • Drawing 803-1385965

Global/SFC Valve manufactures the 3-Way Bypass Valve in the following sizes and end preparations:

ASTM A-105 CARBON STEEL

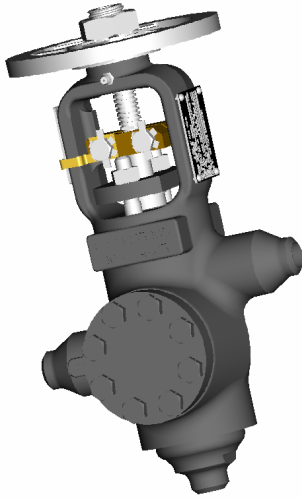
900 LB ASME

PART NUMBER	PORT A	PORT B	PORT C	SCHEDULE 40	SCHEDULE 80	END PREP SOCKET WELD	END PREP BUTT WELD
965-13	1	1/2	1	✓			✓
965-14	1	1/2	1		✓		✓
965-15	1	1/2	1	✓		✓	
965-16	1	1/2	1		✓	✓	
965-23	3/4	3/4	3/4	✓			✓
965-24	3/4	3/4	3/4		✓		✓
965-25	3/4	3/4	3/4	✓		✓	
965-26	3/4	3/4	3/4		✓	✓	
965-33	1	1	1	✓			✓
965-34	1	1	1		✓		✓
965-35	1	1	1	✓		✓	
965-36	1	1	1		✓	✓	

Order replacement components from our large stock of inventory

Quality Assurance

Small DoD Prime Contractor
 Of the Year – DCMA Pittsburgh
 Award for Excellence – Small Business Administration
 MIL-Q-9858A and MIL-I-45208A, LEVEL 1/SUBSAFE,
 NUCLEAR X-4
 ISO 9000/2000 in process



MASTERCARD ACCEPTED



Headquarters and Plant
 160 Cannery Road ~ P.O. Box 24 ~
 Somerset, PA. 15501
 PHONE: 814-445-9671 FAX: 814-443-1453
 EMAIL: SALES@GLOBALESFC.COM

Underway Replenishment Systems
 Navy Standard Valves
 Fluid Control Systems

Johnstown Operations Office
 647 Main Street ~ Suite 400 ~
 Johnstown, PA. 15901
 PHONE: 814-535-3111
 WEB PAGE: WWW.GLOBALESFC.COM

Global/SFC Valve manufactures, assembles, tests and inventories U.S. Navy Underway Replenishment (UNREP) and Refueling at Sea (FAS) equipment, as well as Navy Standard Valves, Components and Sub-Assemblies

CAGE 1GZ83 CAGE 32373 CAGE 7H596 CCR 004353561 CCR 153747266